

# INNOVATIVE ENGINEERING FOR FLOW CONTROL SOLUTIONS

Imagine an Innovative design in a Valve and add Reliability factor to it and that's Valves from C.R.I. True to its tradition, valves from C.R.I. have been designed with clear focus on the customer's diverse applications and needs using best of the design tools and technology.

Manufactured in a State-of-the-Art facility backed up with inhouse Steel Foundry, C.R.I. Valves meet the exacting demands of a variety of applications - a fact well recognized by the accreditations and certifications such as API 600, IBR, ISO 9001. In fact the valve designs have also been validated by Lloyds Registras which itself speaks about the quality of the designs and manufacturing practices.

## WORLD-CLASS QUALITY HIGH RELIABILITY OPTIMUM PERFORMANCE

- Perfect choice for all process applications
- Backed by solid R&D and manufacturing facilities including captive steel foundry
- Ability to meet any big orders with shortest lead time

### APPLICATIONS

- Metal & Mining
- Paper & Pulp
- Water & Waste water
- Textile & Tannery
- Food & Pharmaceuticals
- Chemicals & Fertilizers
- Sugar & Distillation



## WAFER TYPE CHECK VALVE

### SALIENT FEATURES

- Valves meet API 6D / ANSI B 16 design requirements
- Self aligning free floating disc ensures perfect sealing
- Body full bore to ensure streamlined flow, hence no pressure drop
- Hardened seats minimize on line erosion & provide maximum service life
- Variety of materials available to suit special application

ISO 9001  
API 600/API 6D  
IBR  
LLOYDS DESIGN  
VALIDATION  
TDC

**IN SIMPLE WORDS, C.R.I. VALVES - AN ENGINEER'S CHOICE**

# INNOVATIVE ENGINEERING FOR FLOW CONTROL SOLUTIONS

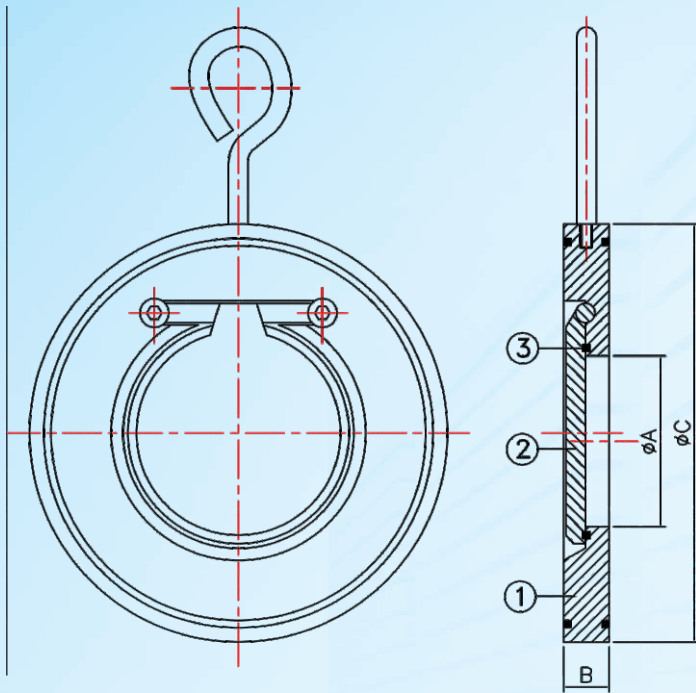
## WAFER TYPE CHECK VALVE

### DESIGN STANDARD

Basic Design	: API 6D / ANSI B 16
Face to Face	: API 6D / ANSI B 16
Flange Standard Conformity	: ANSI 150 / DIN PN 10 & PN 16, BS 10
Test	: API 598 / ANSI B 16

### PRODUCTS RANGE

Size	: DN 25 - DN 600
Type	: Self acting non return valve
Rating	: PN 10, PN 16



### MATERIAL OF CONSTRUCTION

No.	Part Name	Material Specification
01	Body	C.I./SCI/WCB/SS 304/316
02	Disc	MS/SS 304/316
03	Seat	NITRILE / EPDM / VITON / SILICON PTFE

Size	ØA	A	B	C				
				PN10	PN16	BS100	BS10E	ANS#150
25	1"	14	16	72	72	69	69	64
40	1 1/2"	22	19	93	93	86	86	86
50	2"	30	19	108	108	97	97	104
65	2 1/2"	40	19	128	128	110	110	123
80	3"	52	19	143	143	129	129	136
100	4"	71	19	163	163	161	161	174
125	5"	93	19	193	193	193	193	196
150	6"	114	19	219	219	218	215	221

Size	ØA	A	B	C				
				PN10	PN16	BS100	BS10E	ANS#150
200	8"	157	28.5	274	274	274	272	278
250	10"	195	28.5	329	329	335	335	339
300	12"	230	38	379	385	385	383	409
350	14"	270	44.5	438	444	448	446	449
400	16"	310	51	489	495	496	496	512
450	18"	360	60.5	538	555	559	559	545
500	20"	406	83.5	593	695	616	616	805
600	24"	490	70	695	799	727	724	714

Dimensions (in mm. unless specified) & Weights (in kg)  
Note: Subject to change without notice on account of continuous improvement.

DC/Wafer Check/ 02-13

## C.R.I. VALVES

Unit of C.R.I. Pumps Private Limited

Regd. Office: 7/46-1, Keeranatham Road, Saravanampatty,  
Coimbatore-641035. INDIA  
Phone : +91-(0) 422 - 3027000, Fax : +91-(0) 422 - 3027005  
Email : info@crivalves.com, Web: www.crigroups.com