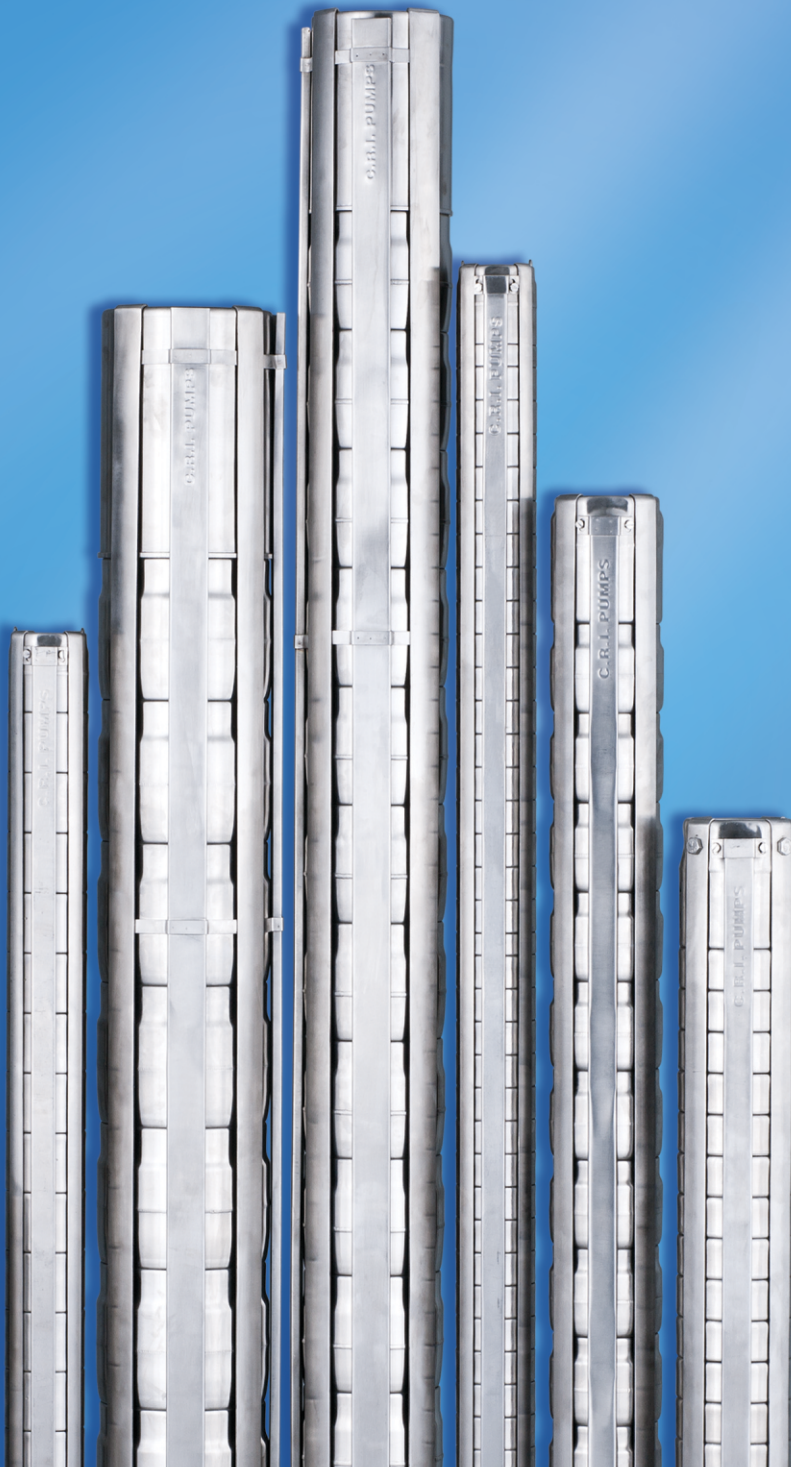


# STAINLESS STEEL S E R I E S



# STAINLESS STEEL SERIES

## PUMPED LIQUIDS

Clean, thin, non-aggressive, non explosive, clear, cold, fresh water without abrasives, solid particles or fibre having the following characteristics

a)	<b>Temperature (max)</b>	NBR - 33°C / VITON - 90°C
b)	<b>Permissible amount of sand</b>	50g/m <sup>3</sup> (max)
c)	<b>Chlorine ion density</b>	500 ppm (max)
d)	<b>Allowable solids</b>	3000 ppm (max)
e)	<b>Specific gravity</b>	1.004 (max)
f)	<b>Hardness (Drinking water)</b>	300 (max)
g)	<b>Viscosity</b>	1.75 x 10 <sup>-6</sup> m <sup>2</sup> /sec (max)
h)	<b>Turbidity</b>	50 ppm silica scale (max)
i)	<b>pH</b>	6.5 to 8.5

PUMP OPERATING LIMITATIONS					
Nominal Diameter		4"(100mm)	6"(150mm)	8"(200mm)	10"(250mm)
Power Range		0.37 - 11 kW	2.2 - 63 kW	5.5 - 110 kW	9.3 - 220 kW
Speed		2900 rpm	2900 rpm	2900 rpm	2900 rpm
Discharge Range	m <sup>3</sup> /h	0.4 - 19	7 - 80	20 - 126	18 - 280
	lps	0.12 - 5.28	1.94 - 22.24	5.5 - 35	5 - 77.78
Total head range	m	4.0 - 535	4.5 - 620	8 - 475	6 - 488
	ft	13.0 - 1755	15 - 2132	26 - 1558	19.68 - 1600
Outlet size in inches		1¼, 1½ & 2	2, 2½, 3 & 4	4 & 5	6

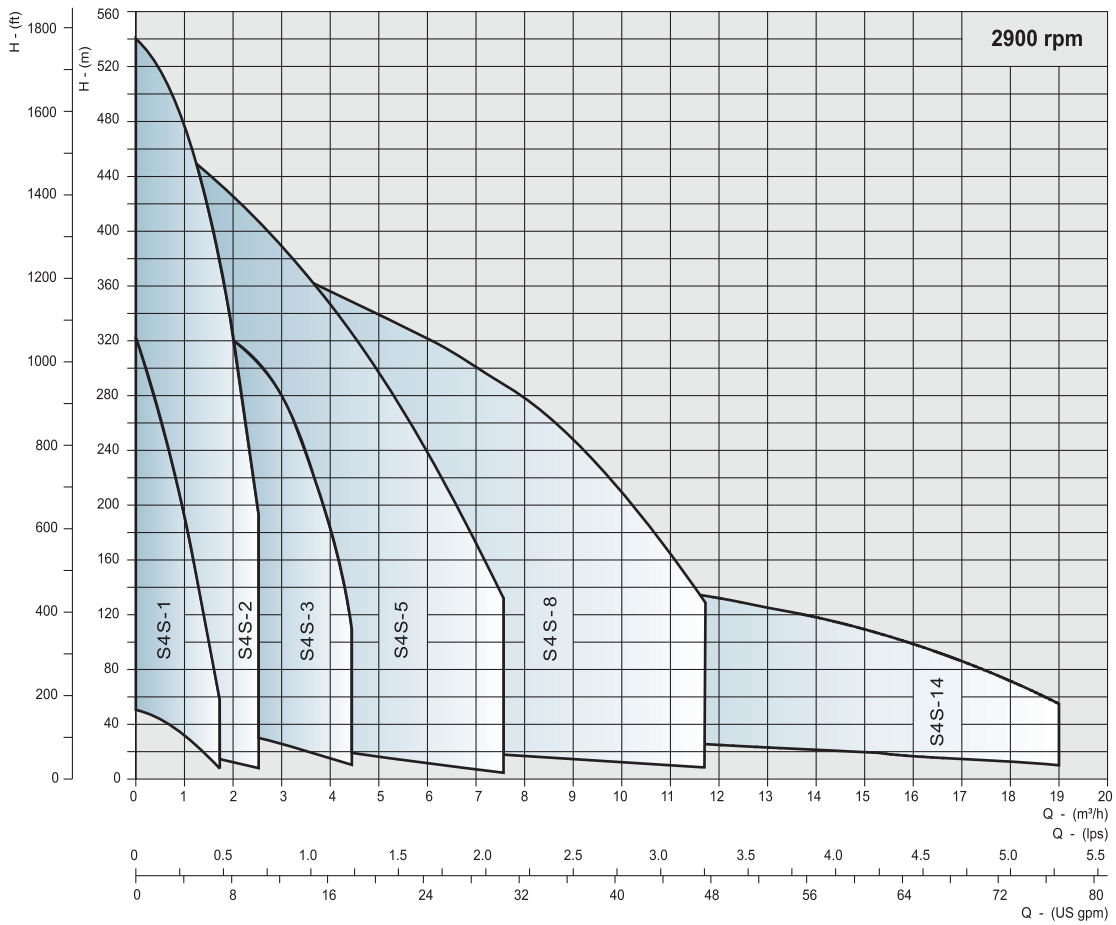
### Maximum temperature of Pumped liquid

Motor	Minimum cooling flow along the motor	Vertical installation	Horizontal installation (minimum 30° angle)	Maximum operating pressure	
				4" Submersible pump	5.4 Mpa (54 bar)
4" & 6"	0.15 m/s	NBR-33°C VITON-90°C	NBR-33°C VITON-90°C	6" Submersible pump	6.2 Mpa (62 bar)
8" & 10"	0.16 m/s			8" Submersible pump	4.8 Mpa (48 bar)
		10" Submersible pump	4.9 Mpa (49 bar)		

Available types of materials of construction : S (S.S-304) and N (S.S-316). In case of M.O.C Type - N the third digit of the pump model "S" will be replaced with "N".  
The given performance ranges are same for Type - S & N.  
In view of continuous developments, the information / descriptions / specifications / illustrations are subject to change without notice.

# GENERAL INFORMATION

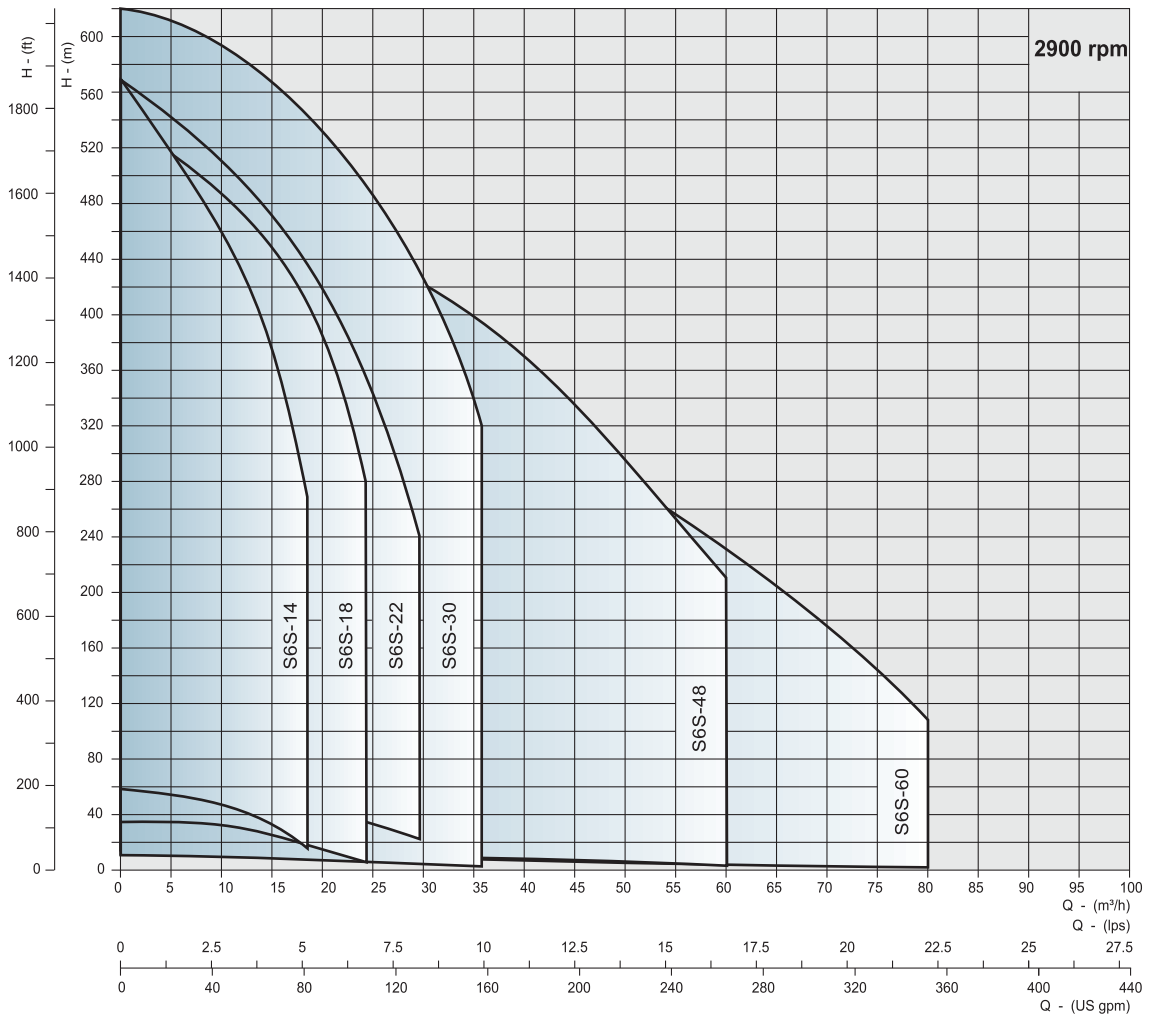
## Group Performance Curves - 4"



In view of continuous developments, the information / descriptions / specifications / illustrations are subject to change without notice.

# STAINLESS STEEL SERIES

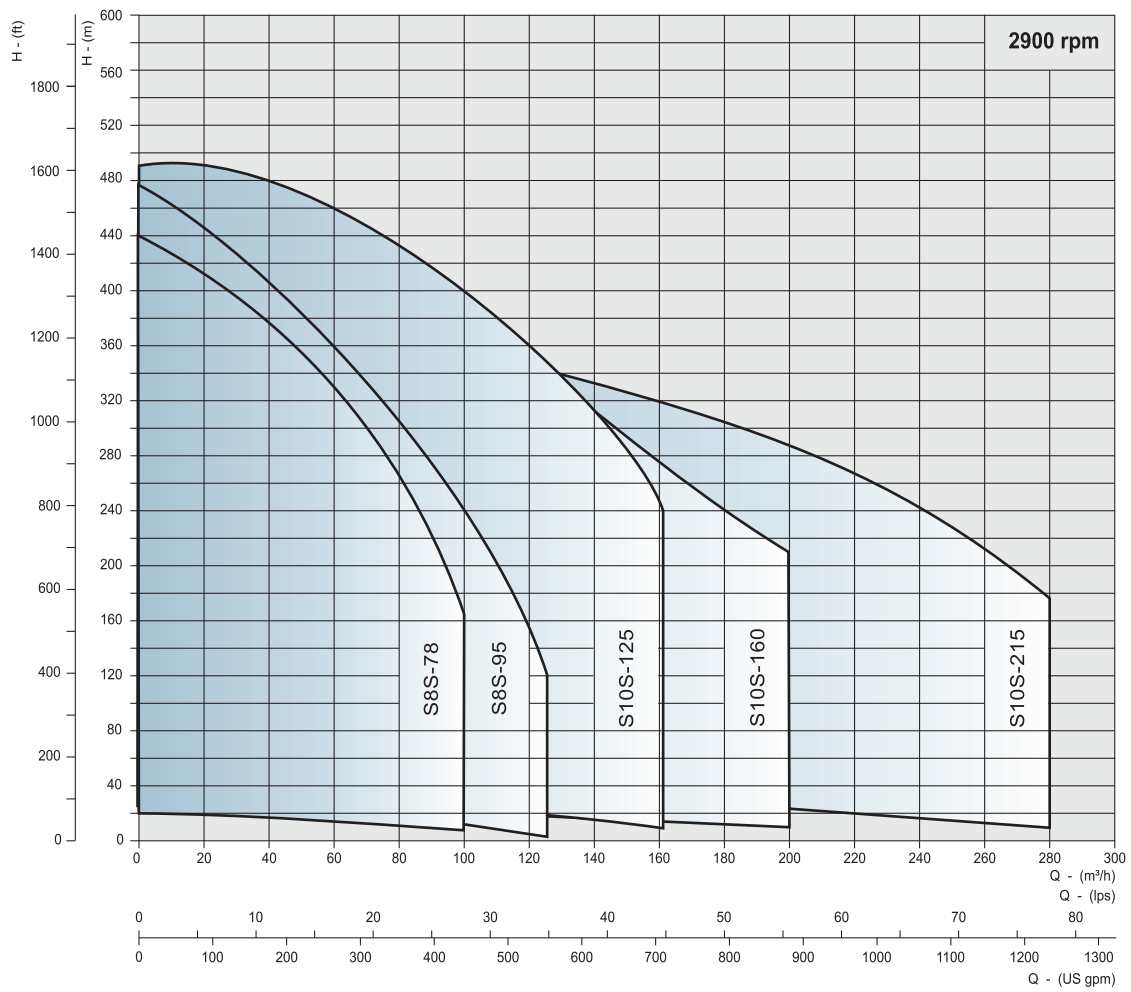
## Group Performance Curves - 6"



In view of continuous developments, the information / descriptions / specifications / illustrations are subject to change without notice.

# GENERAL INFORMATION

## Group Performance Curves - 8" & 10"



In view of continuous developments, the information / descriptions / specifications / illustrations are subject to change without notice.

# STAINLESS STEEL SERIES

## Materials of Construction

PART NAME	PART No.	NOMINAL DIA. 4"		NOMINAL DIA . 6", 8" & 10"	
		TYPE - S	TYPE - N	TYPE - S	TYPE - N
CHECK VALVE HOUSING	21.00	S.S - 304	S.S. - 316	S.S. - 304	S.S. - 316
CHECK VALVE DISC	21.06	S.S - 304	S.S. - 316	S.S. - 304	S.S. - 316
CHECK VALVE SEAT	21.01	NBR / VITON	NBR / VITON	NBR / VITON	NBR / VITON
DIFFUSER CHAMBER	18.03	S.S - 304	S.S. - 316	S.S. - 304	S.S. - 316
IMPELLER	19.00	S.S - 304	S.S. - 316	S.S. - 304	S.S. - 316
SPLIT CONE WITH NUT**	19.02	S.S - 304	S.S. - 316	S.S. - 304	S.S. - 316
IMPELLER WEAR RING / SEAL RING	17.01	NBR / VITON	NBR / VITON	NBR / VITON	NBR / VITON
UPTHRUST WASHER / STOP RING	13.03	S.S - 304 / TEFLON S.S - 420 / BRONZE	S.S - 316 / TEFLON	S.S. - 420 / CARBON	S.S. - 329 / CARBON
INTERMEDIATE BEARING	18.07	NBR / VITON	NBR / VITON	NBR / VITON	NBR / VITON
SUCTION INTER CONNECTOR	17.00	S.S. - 304	S.S - 316	S.S. - 304	S.S. - 316
INLET SCREEN	14.03	S.S. - 304	S.S. - 316	S.S. - 304	S.S. - 316
PUMP SHAFT	22.00	S.S. - 304 / 431*	S.S. - 316 / 329*	S.S. - 431	S.S. - 329
COUPLING SPLINES	22.01	S.S. - 329	S.S - 329	S.S. - 329	S.S. - 329
LOCKING STRAPS	17.03	S.S. - 304	S.S - 316	S.S. - 304	S.S. - 316
CABLE GUARD	17.04	S.S. - 304	S.S - 316	S.S. - 304	S.S. - 316

\* Provided only for 4", 14m<sup>3</sup>/h

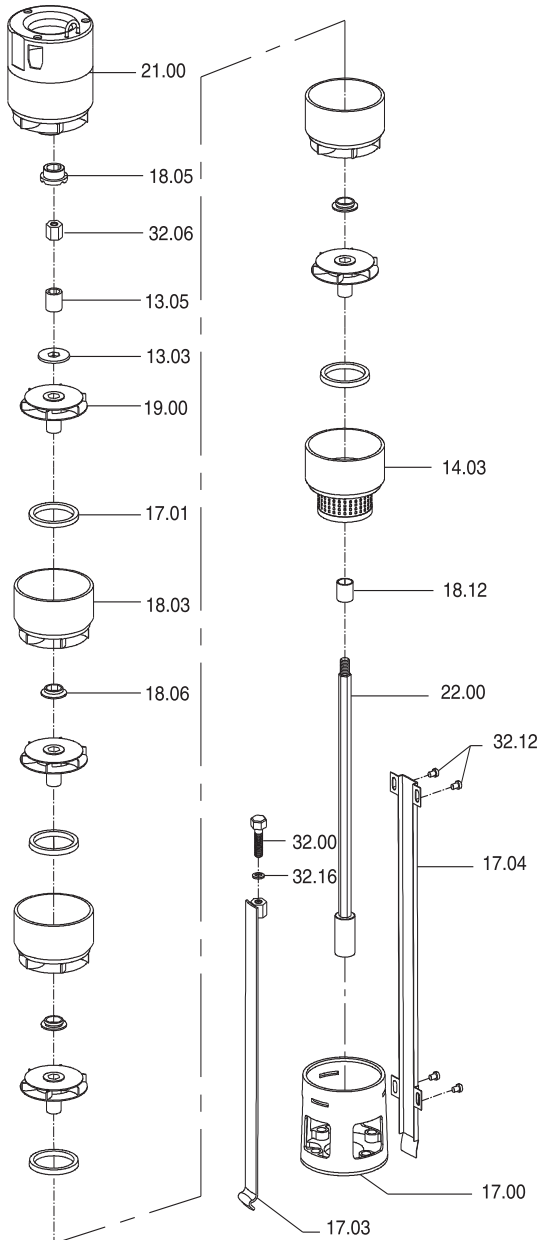
\*\* Applicable for 4", 14m<sup>3</sup>/h and 6" 14m<sup>3</sup> to 60m<sup>3</sup>/h pump models.

Note : 4" 1m<sup>3</sup>/h to 8m<sup>3</sup>/h pumps are provided with hexagonal shaft and other 4" & 6" pumps are with round shaft.  
VITON Components are optional

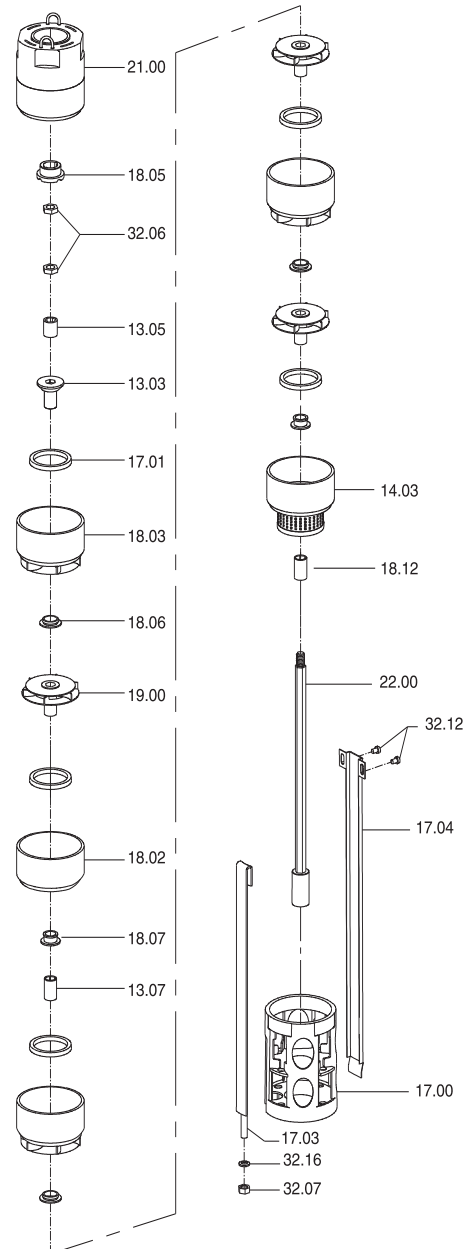
# GENERAL INFORMATION

## Exploded View

**S4S-1 / S4S-2 / S4S-3 (Below 29 Stages)**



**S4S-1 / S4S-2 / S4S-3 (29&above Stages)**



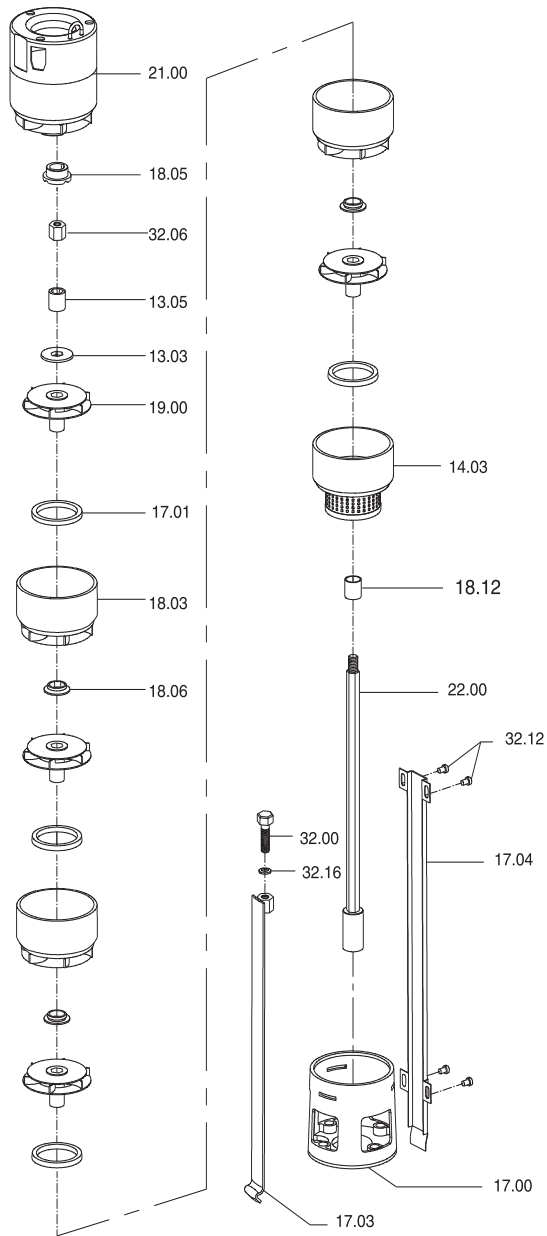
Part No.	Part Name	Part No.	Part Name
13.03	Upthrust Washer	18.12	Spacer Sleeve
13.05	Sleeve	19.00	Impeller
14.03	Chamber-Inlet Screen	21.00	Check Valve Housing
17.00	Suction Inter-connector	22.00	Pump Shaft
17.01	Wearing ring	32.00	Bolt
17.03	Locking Straps	32.06	Lock Nut
17.04	Cable Guard	32.12	Screw
18.03	Diffuser Chamber	32.16	Washer
18.05	Bush - CT Pad		
18.06	Bush - Diffuser Chamber		

Part No.	Part Name	Part No.	Part Name
13.03	Upthrust Sleeve	18.06	Bush - Diffuser Chamber
13.07	Sleeve - Bracket	18.07	Bush - Bracket
13.05	Sleeve	18.12	Spacer Sleeve
14.03	Chamber-Inlet Screen	19.00	Impeller
17.00	Suction Inter-connector	21.00	Check Valve Housing
17.01	Wearing ring	22.00	Pump Shaft
17.03	Locking Straps	32.06	Lock Nut
17.04	Cable Guard	32.07	Nut
18.02	Chamber - Bracket	32.12	Screw
18.03	Diffuser Chamber	32.16	Washer
18.05	Bush - CT Pad		

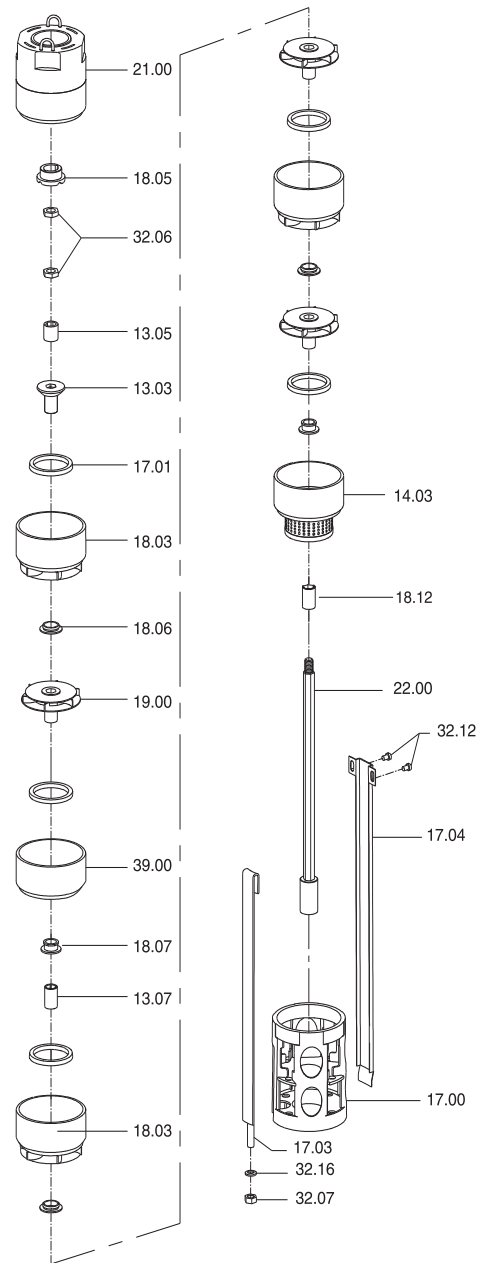
# STAINLESS STEEL SERIES

## Exploded View

S4S-5 (Below 25 Stages)



S4S-5 (25 & Above Stages)



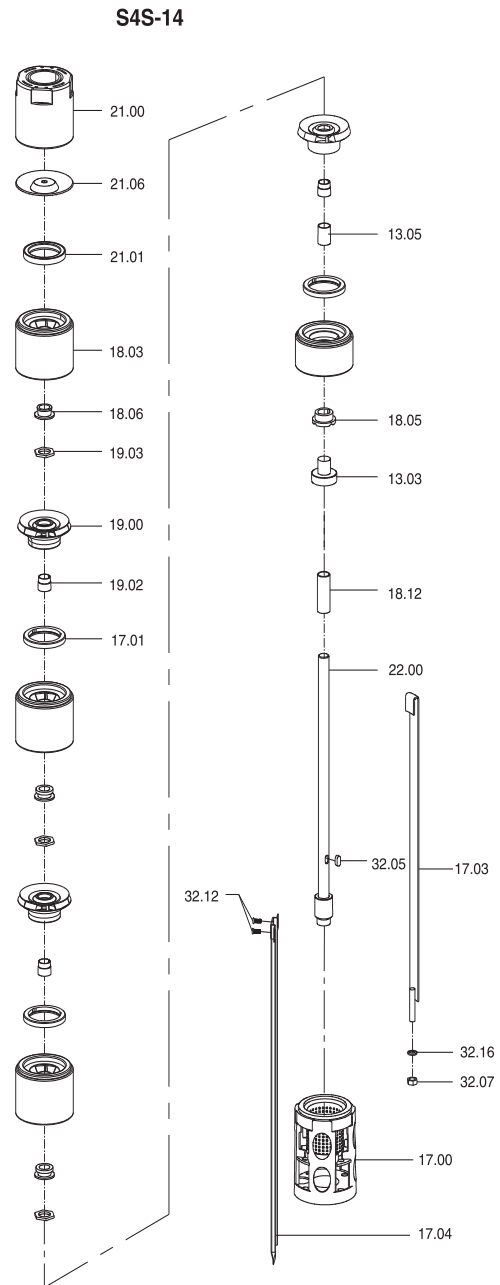
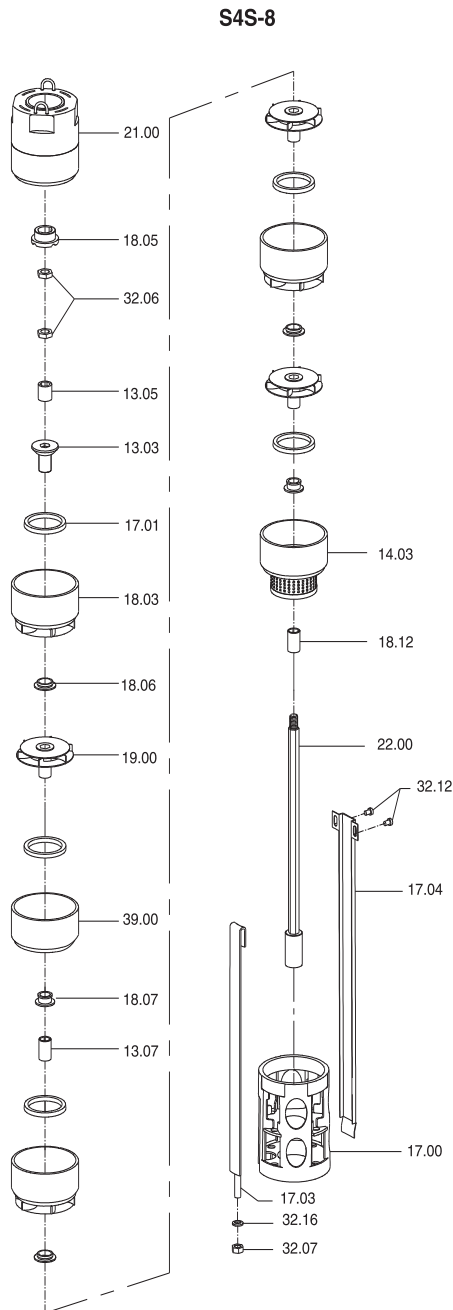
Part No.	Part Name	Part No.	Part Name
13.03	Upthrust Washer	18.12	Spacer Sleeve
13.05	Sleeve	19.00	Impeller
14.03	Chamber-Inlet Screen	21.00	Check Valve Housing
17.00	Suction Inter-connector	22.00	Pump Shaft
17.01	Wearing ring	32.00	Bolt
17.03	Locking Straps	32.06	Lock Nut
17.04	Cable Guard	32.12	Screw
18.03	Diffuser Chamber	32.16	Washer
18.05	Bush - CT Pad		
18.06	Bush - Diffuser Chamber		

Part No.	Part Name	Part No.	Part Name
13.05	Sleeve	18.07	Bush - Bracket
13.03	Upthrust Sleeve	18.12	Spacer Sleeve
13.07	Sleeve-Bracket	19.00	Impeller
14.03	Chamber-Inlet Screen	21.00	Check Valve Housing
17.00	Suction Inter-connector	22.00	Pump Shaft
17.01	Wear ring	32.06	Lock Nut
17.03	Locking Straps	32.07	Nut
17.04	Cable Guard	32.12	Screw
18.03	Diffuser Chamber	32.16	Washer
18.05	Bush - CT Pad	39.00	Chamber - Bracket
18.06	Bush - Diffuser Chamber		



# GENERAL INFORMATION

## Exploded View



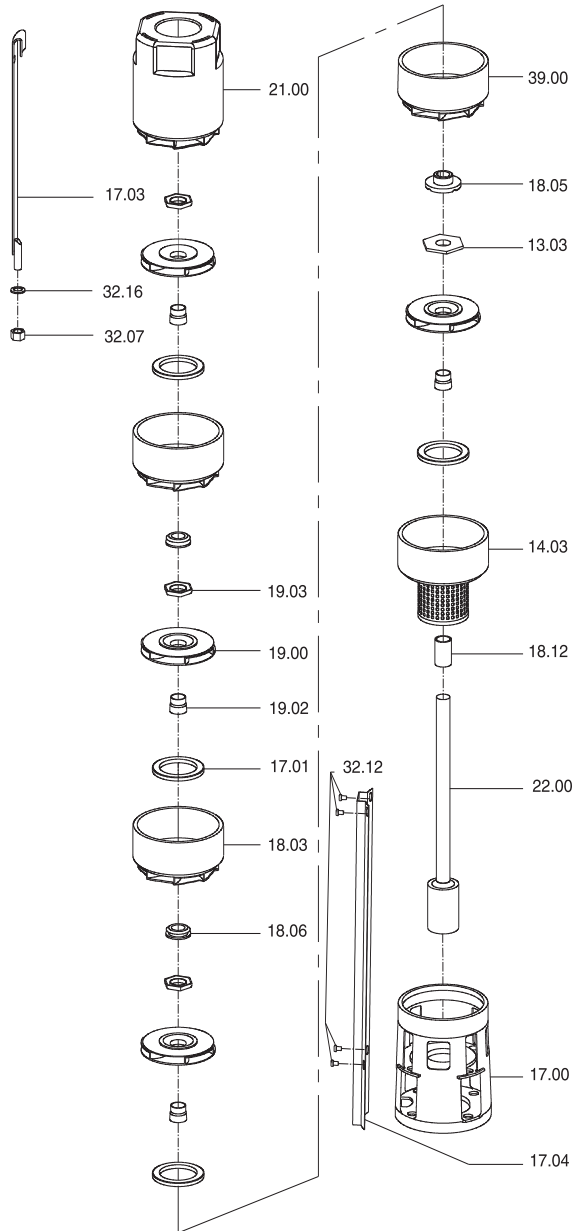
Part No.	Part Name	Part No.	Part Name
13.03	Upthrust Sleeve	18.07	Bush - Bracket
13.05	Sleeve	18.12	Spacer Sleeve
13.07	Sleeve-Bracket	19.00	Impeller
14.03	Chamber-Inlet Screen	21.00	Check Valve Housing
17.00	Suction Inter-connector	22.00	Pump Shaft
17.01	Wear ring	39.00	Chamber - Bracket
17.03	Locking Straps	32.06	Lock Nut
17.04	Cable Guard	32.07	Nut
18.03	Diffuser Chamber	32.12	Screw
18.05	Bush - CT Pad	32.16	Washer
18.06	Bush - Diffuser Chamber		

Part No.	Part Name	Part No.	Part Name
13.03	Upthrust Sleeve	19.02	Split Cone
13.05	Sleeve	19.03	Split Cone Nut
17.00	Suction Inter-connector	21.00	Check Valve Housing
17.01	Wear ring	21.01	Check Valve Seat
17.03	Locking Straps	21.06	Check Valve Disc
17.04	Cable Guard	22.00	Pump Shaft
18.03	Diffuser Chamber	32.05	Key
18.05	Bush - CT Pad	32.07	Nut
18.06	Bush - Diffuser Chamber	32.12	Screw
18.12	Spacer Sleeve	32.16	Washer
19.00	Impeller		

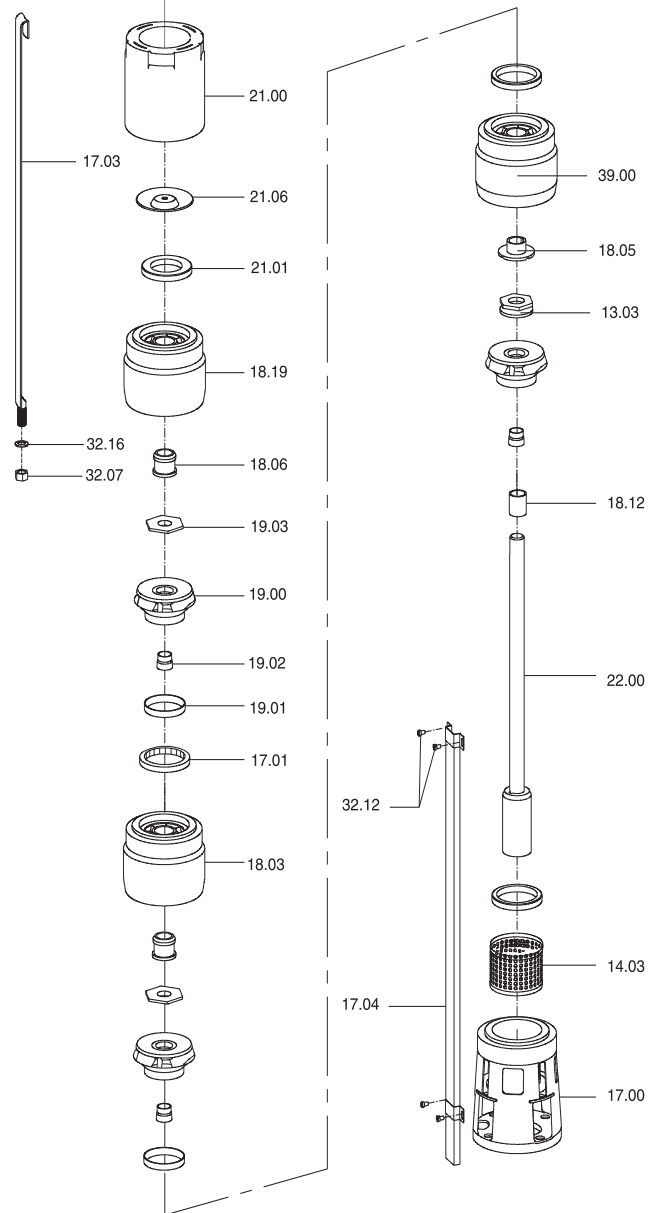
# STAINLESS STEEL SERIES

## Exploded View

S6S-14 / S6S-18 / S6S-22



S6S-30 / S6S-48 / S6S-60



Part No.	Part Name
13.03	Upthrust Washer
14.03	Chamber Inlet Screen
17.00	Suction Inter-connector
17.01	Wear ring
17.03	Locking Straps
17.04	Cable Guard
18.03	Diffuser Chamber
18.05	Bush - CT Pad
18.06	Bush - Diffuser Chamber
18.12	Spacer Sleeve
19.00	Impeller
19.02	Split Cone

Part No.	Part Name
19.03	Split Cone Nut
21.00	Check Valve Housing
22.00	Pump Shaft
32.07	Nut
32.12	Screw
32.16	Washer
39.00	Chamber - Bracket

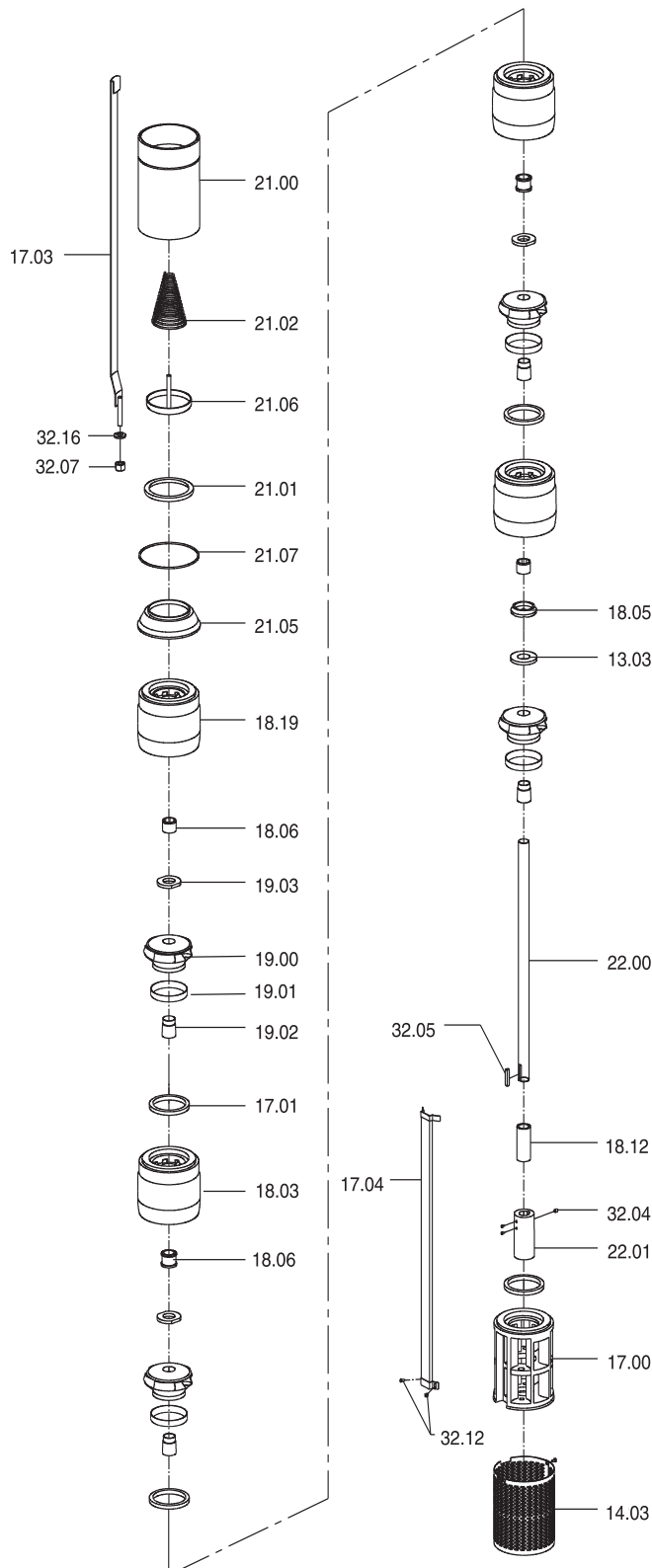
Part No.	Part Name
13.03	Upthrust Washer
14.03	Inlet Screen
17.00	Suction Inter-connector
17.01	Wear ring
17.03	Locking Straps
17.04	Cable Guard
18.05	Bush - CT Pad
18.06	Bush - Diffuser Chamber
18.03	Diffuser Chamber
18.12	Spacer Sleeve
18.19	Diffuser Chamber Top
19.00	Impeller

Part No.	Part Name
19.01	Neck Ring
19.02	Split Cone
19.03	Split Cone Nut
21.00	Check Valve Housing
21.01	Check Valve Seat
21.06	Check Valve Disc
22.00	Pump Shaft
32.07	Nut
32.12	Screw
32.16	Washer
39.00	Chamber - Bracket

# GENERAL INFORMATION

## Exploded View

S8S-78 / S8S-95 / S10S-125 / S10S - 160 / S10S-215



Part No.	Part Name
13.03	Upthrust Washer
14.03	Inlet Screen
17.00	Suction Inter-connector
17.01	Wear ring
17.03	Locking Straps
17.04	Cable Guard
18.03	Diffuser Chamber
18.05	Bush - CT Pad
18.06	Bush - Diffuser Chamber
18.12	Spacer Sleeve
18.19	Diffuser Chamber Top
19.00	Impeller
19.01	Neck Ring
19.02	Split Cone
19.03	Split Cone Nut
21.00	Check Valve Housing
21.01	Check Valve Seat
21.02	Check Valve Spring
21.05	Check Valve bracket
21.06	Check valve Disc
21.07	O-Ring
22.00	Pump Shaft
22.01	Coupling
32.04	Crub Screw
32.05	Key
32.07	Nut
32.12	Screw
32.16	Washer