



# INNOVATIVE ENGINEERING FOR FLOW CONTROL SOLUTIONS

Imagine an Innovative design in a Valve and add Reliability factor to it and that's Valves from C.R.I. True to its tradition, valves from C.R.I. have been designed with clear focus on the customer's diverse applications and needs using best of the design tools and technology.

Manufactured in a State-of-the-Art facility backed up with inhouse Steel Foundry, C.R.I. Valves meet the exacting demands of a variety of applications - a fact well recognized by the accreditations and certifications such as API 600, IBR, ISO 9001. In fact the valve designs have also been validated by Lloyds Registras which itself speaks about the quality of the designs and manufacturing practices.

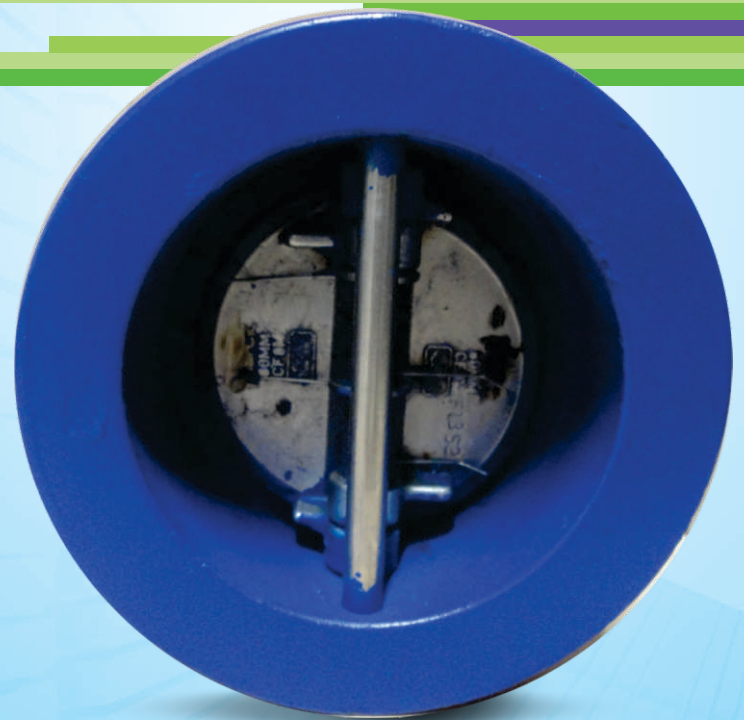
## WORLD-CLASS QUALITY HIGH RELIABILITY OPTIMUM PERFORMANCE

- Perfect choice for all process applications
- Backed by solid R&D and manufacturing facilities including captive steel foundry
- Ability to meet any big orders with shortest lead time

### APPLICATIONS

- Metal & Mining
- Paper & Pulp
- Water & Waste water
- Textile & Tannery
- Food & Pharmaceuticals
- Chemicals & Fertilizers
- Sugar & Distillation

ISO 9001  
API 600/API 6D  
IBR / EIL  
LLOYDS DESIGN  
VALIDATION  
TDC



**DUAL PLATE CHECK VALVE**

### SALIENT FEATURES

- Valves meet API 594 design requirements
- Narrow type, Self-aligning & Rotating disc ensure tight shut-off. Streamlines flow ensure no pressure drop
- Hardened seats minimize on line erosion & provide maximum service life
- Variety of materials available to suit special application requirement

**IN SIMPLE WORDS, C.R.I. VALVES - AN ENGINEER'S CHOICE**

# INNOVATIVE ENGINEERING FOR FLOW CONTROL SOLUTIONS

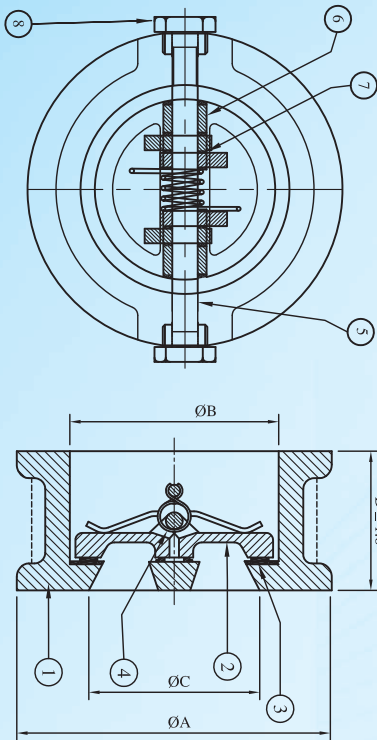
## DUAL PLATE CHECK VALVE

### DESIGN STANDARD

Basic Design	: API 594
Face to Face	: API 594
Flange Standard Conformity	: ASME B 16.5, ASME B 16.47 Series A
Test	: API 598

### PRODUCTS RANGE

Size	: 50 NB through 600 NB
Type	: Dual Disc Fully Rubber lined / Unlined Body
Rating	: ANSI - 150#, 300#, 600#



Part No.	Part Name	MATERIAL					
		Cast Iron	Cast Steel	SS-304/SS-304L	SS-316/SS-316L	Alloy-20	Duplex SS
1	Body	IS 210 FIG.200/260 GG 20/25	ASTM A-216 Gr.WCB	ASTM A-351 Gr.CF-8/ CF3	ASTM A-351 Gr.CF-8M/ 3M	ASTM A-351 Gr.CN-7M	ASTM A-890 Gr. CD4MCu CD3MN
2	Dual Plate	SG IRON	CF 8	CF8/CF3	CF8M/3M	CN-7M	CD4MCu/ CD3MN
3	Body Seat	EPDM / NEOPRENE / NBR / VITON					
4	Spring	SS 304 / 316 / INCONEL					
5	Hinge / Stop Pin	SS 304	SS 304/ SS 304L	SS 316/ 316L	MONEL		
6	Hinge Pin Bush	SS 304	SS 304/ 304L	SS 316/ 316L	MONEL		
7	Disc Bearing	PTFE / CARBON FILLED PTFE					
8	Hinge /Stop Pin Plug	SS 304	SS 304	SS 316	SS 316L		

Size NB	ØA	ØB	ØC	D
50	105	60	50	60
65	124	75	65	67
80	134	90	80	73
100	172	115	100	73
125	197	145	125	90
150	220	165	150	98
200	276	220	200	127
250	338	265	250	146
300	407	320	300	181
350	448	370	335	184

Size NB	ØA	ØB	ØC	D
400	514	425	390	191
450	549	475	440	203
500	603	520	485	219
600	718	625	590	222
700	832	715	680	305
750	883	770	735	305
800	940	815	780	305
900	1048	915	880	368
1000	1172	1015	975	368

Dimensions (in mm. unless specified) & Weights (in kg)  
 Note: Subject to change without notice on account of continuous improvement.

## C.R.I. VALVES

Unit of C.R.I. Pumps Private Limited

Regd. Office: 7/46-1, Keeranatham Road, Saravanampatty,  
 Coimbatore-641035. INDIA  
 Phone : +91-(0) 422 - 3027000, Fax : +91-(0) 422 - 3027005  
 Email : info@crivalves.com, Web: www.crigroups.com