

INNOVATIVE ENGINEERING FOR FLOW CONTROL SOLUTIONS

Another set of examples for the engineering excellence of C.R.I. group. C.R.I. Butterfly valves are most suitable for wide range of industrial applications. These valves can be integrated with a consistent range of actuators to create complete flow control packages. Versatile ranges of resilient seated quarter turn butterfly valves are available in various configuration and material to match critical applications. Higher end quality inspection ensures 100% compliance of safety measures, specified pressure rating and each valve assures tight shut-off.

WORLD-CLASS QUALITY HIGH RELIABILITY OPTIMUM PERFORMANCE

- Perfect choice for all process applications
- Backed by solid R&D and manufacturing facilities including captive steel foundry
- Ability to meet any big orders with shortest lead time

APPLICATIONS

- HVAC
- Fire Fighting
- Construction
- Water & Waste Water Treatment
- Paper & Pulp Industry
- Sugar & Chemical Industry
- Food & Pharmaceutical Industry
- Cement Industry
- Metal & Mining



BUTTERFLY VALVE

SALIENT FEATURES

- As cast extended neck valves available
- Segment plate & Handle are e-coated to avoid corrosion
- No pins are used for the shaft with disc connection. This eliminates the possibility of electrolyte corrosion
- Self lubricated plain bearing for both drive and non-drive end shaft ensures minimum bearing friction torque
- Choice of seat and disc material to suit media conditions and service requirements
- Excellent adaptability for actuated operation through standardized top flange mounting dimensions for actuator fitment.

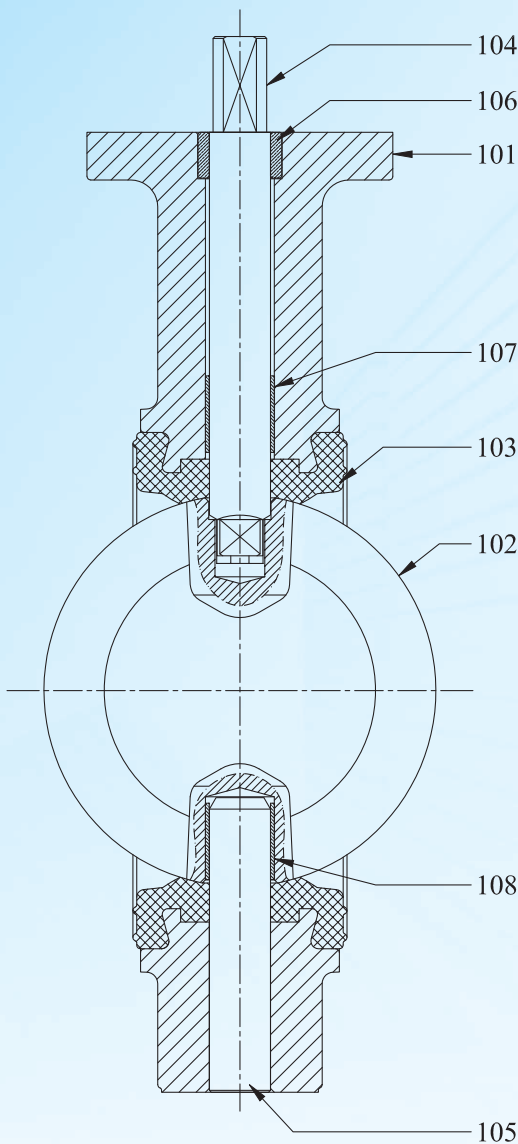
IN SIMPLE WORDS, C.R.I. VALVES - AN ENGINEER'S CHOICE

INNOVATIVE ENGINEERING FOR FLOW CONTROL SOLUTIONS

BUTTERFLY VALVE

DESIGN STANDARD

General design & manufacture : EN 593/API 609
 Valve face to face dimensions : ISO 5752
 Top flange drilling : ISO 5211
 Valve inspection & testing : API 598
 Flange standard conformity : ANSI 150/ANSI 125/BS 10 TAB
 D & E IS 6392 NP 0.6/1.0/1.6



SPECIFICATIONS

Type of Valve : Centric Disc Butterfly valve with Rubber Lined Body
 Body Type : Single Piece, Short Wafer or Wafer Lugged
 Seal Type : Integrally bonded, replaceable
 Size Range : DN 40 to DN 600
 Pressure Rating : PN 10/PN 16
 Operating Temperature : -30°C to 130°C (Depending on MOC)
 Range
 Seal Leakage Performance : Tight Shut Off
 Operation : Hand lever operation - DN 40 to DN 300
 Worm gear operation - DN 100 to DN 300
 Electrical / Pneumatic actuator operation (optional)

Item	Description	Size (mm)	Material Specification
101	Body	40 to 600	Type A: IS 210-FG 260 (or) BS 1452-Gr. 260 Type B: IS 1865-SG 450/10 (or) ASTM-A 536 (93)(64-45-12)
102	Disc	40 to 600	Type A: IS 1865-SG 450/10 (or) ASTM-A 536 (93)(64-45-12) Type B: CF8 (ASTM A 351) Type C: CF8M (ASTM A 351)
103	Seat	40 to 600	Type A: EPDM Type B: NITRILE
104	Operating Shaft	40 to 600	AISI 410
105	Shaft	40 to 600	AISI 410
106	Bush	40 to 600	PTFE
107	Plain Bearing	100 to 600	PTFE filled on steel casing
108	Plain Bearing	40 to 600	PTFE filled on steel casing / Teflon sheet

C.R.I. VALVES

Unit of C.R.I. Pumps Private Limited

Regd. Office: 7/46-1, Keeranatham Road, Saravanampatty,
 Coimbatore-641035. INDIA
 Phone : +91-(0) 422 - 3027000, Fax : +91-(0) 422 - 3027005
 Email : info@crivalves.com, Web: www.crigroups.com