

BOTTOM SUCTION PUMPS - 50Hz

BS SERIES



CE
C.R.I. BOTTOM SUCTION PUMP
BS - SERIES
50Hz
Model: BSP-5/035H KW: 0.35
Volts: 230V Amps: 4.5A
rpm: 2900 Outlet: 1 1/2 inch
Q: 5 m³/hr H: 22 m
C.R.I. PUMPS (PVT) LIMITED,
COIMBATORE, INDIA

CE
C.R.I. BOTTOM SUCTION PUMP
BS-Series
Attention
• Read our Installation, Operation & Maintenance manual before commissioning.
• Do not pull the slip / lead out cables.
• Use control box with adequate protection.
• Earth the motor properly.
CE

C.R.I. Bottom Suction Pump (BS Series)

Understanding the multifarious need of present-day customers and the need of optimizing the efficiency C.R.I. produces BS Series bottom suction pumps suitable for several applications. These pumps are designed and developed by a proficient team backed by over 50 years of unmatched expertise of C.R.I. in the pump industry.

Most modern and highly sophisticated machinery and technology are employed in the manufacture of these pumps using quality raw material, dynamically balanced impellers, seals and ball bearings to ensure long life.

BS Series pumps are close-coupled type and available with multiple impellers and motor is protected by double sealing system with an oil chamber. These pumps are supplied with float switch, 14 metre lead out cable and control box (only for single phase).



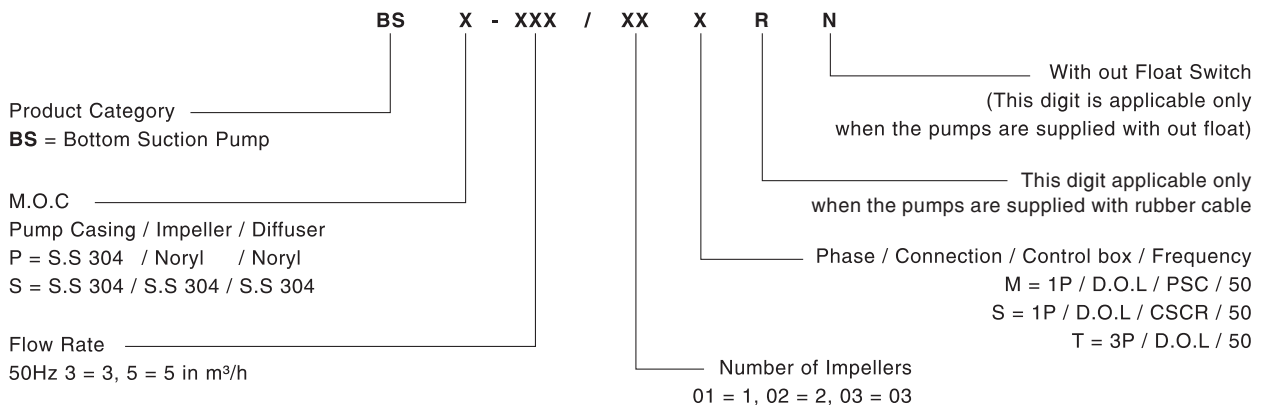
Specifications (Motor & Pump)

Max. Overall Dia.	: 128.5mm
Outlet Dia.	: 1¼" (32mm) BSP
Power Range	: 0.6kW - 1.2kW
Speed	: 2850 rpm
Versions	: 1 Ph, 230V - 50Hz A.C. Supply 3 Ph, 380V - 50Hz A.C. Supply
Class of Insulation	: F
Degree of Protection	: IP 68
Method of Starting	: 1 Ph - Permanent Split Capacitor (PSC) 3 Ph - Direct Online (DOL)

Operating Conditions

Maximum fluid temperature	: up to +40°C.
Maximum sand content	: 25 g/m³
Maximum immersion depth	: 20m.
Passage of Solids	: Upto 1.5mm

Model Identification Code



Description : BSP - 3/05M, Bottom Suction Pump, 3m³/h, 5 stage, Single Phase.

Applications

- Domestic water supply.
- Garden irrigation.
- Pressure Boosting.
- Rain water collection.
- Sprinklers.
- Civil and industrial applications.

Features

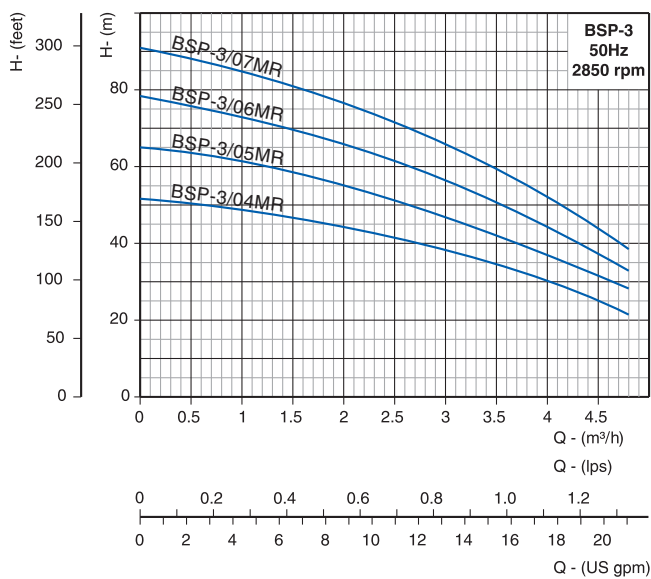
- Fitted with thermal overload protector in single phase models.
- Float switch to avoid dry running.
- Corrosion free parts for hygiene.
- Most reliable double sealing.
- Self cooling system.
- Aesthetically designed.
- Can be operated in horizontal position.

Materials of Construction

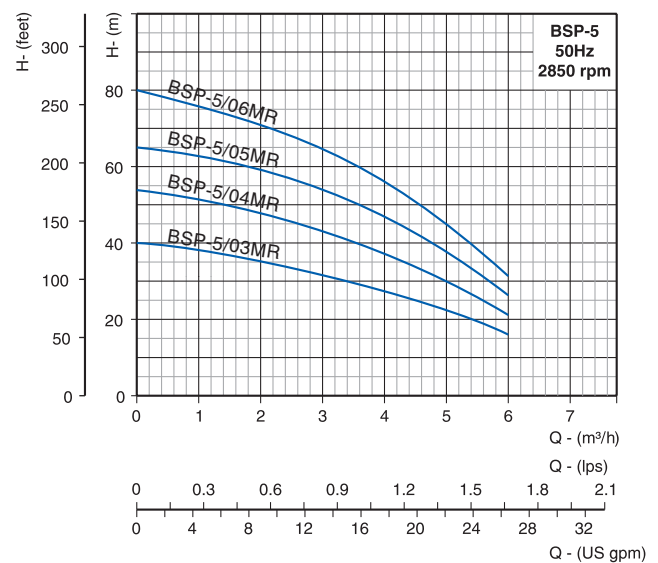
Components	Material
Pump & Motor outer shell	S.S 304
Discharge outlet chamber	S.S 304
Impeller	PPO
Diffuser	PPO
Pump Shaft	S.S. 420
Mechanical seal	Double mechanical seal (Carbon / Ceramics & Sic / Sic)
Lubricant	Non-toxic edible grade oil
Strainer	S.S 304

Performance Curve

BSP - 3m³/h



BSP - 5m³/h



Performance Table

NOMINAL FLOW - 3m³/h

OUTLET SIZE : 1 1/4"

Pump Model	Power		Current (A)		Capacitor (1Ph)	l/s	0	0.33	0.5	0.67	0.83	1.0	1.17	1.33
	kW	HP	1Ph-230V	3Ph-380V			m ³ /h	0	1.2	1.8	2.4	3	3.6	4.2
BSP-3/04MR	0.6	0.8	4.4	2.2	20µF	Total Head in meters	52	48	45	42	38	33	28	22
BSP-3/05MR	0.8	1.0	5.4	2.7	25µF		65	60	56	52	47	41	35	28
BSP-3/06MR	1.0	1.3	6.5	3.3	30µF		78	72	68	62	56	50	42	33
BSP-3/07MR	1.2	1.6	7.4	3.8	35µF		91	84	79	73	66	58	49	39

NOMINAL FLOW - 5m³/h

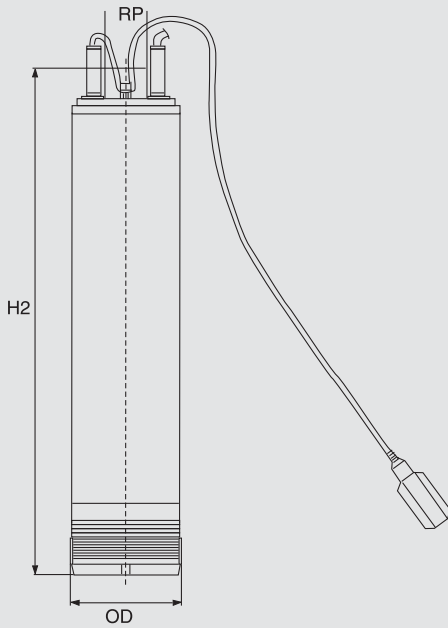
OUTLET SIZE : 1 1/4"

Pump Model	Power		Current (A)		Capacitor (1Ph)	l/s	0	0.5	0.67	0.83	1.0	1.17	1.33	1.5	1.67
	kW	HP	1Ph-230V	3Ph-380V			m ³ /h	0	1.8	2.4	3	3.6	4.2	4.8	5.4
BSP-5/03MR	0.6	0.8	4.4	2.2	20µF	Total Head in meters	40	36	35	32	30	27	24	20	16
BSP-5/04MR	0.8	1.0	5.4	2.7	25µF		54	48	46	43	40	36	32	26	21
BSP-5/05MR	1.0	1.3	6.5	3.3	30µF		65	60	58	54	50	45	39	33	26
BSP-5/06MR	1.2	1.6	7.4	3.8	35µF		80	72	69	65	60	54	47	40	31

• Single phase models are available with and without float switch. For three phase models replace the letter "M" as "T" in the model name.

The performance data are at rated voltage and only indicative. Actual discharge depends on availability of water in the tank, height of water column from the suction inlet chamber. Curve tolerance according to ISO 9906, Annex A.

Dimensions & Weight



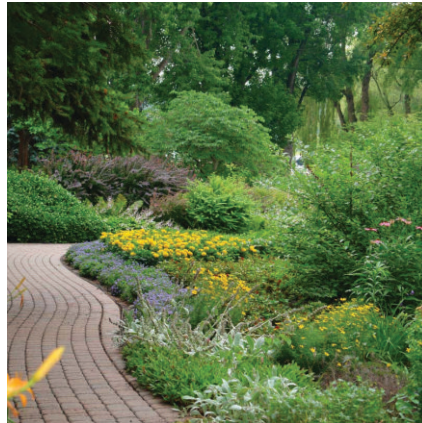
BSP - 3m³

Pump Model	Required Power		Dimensions (mm)			Approx. Nett Weight in kg
	kW	HP	OD	RP	H2	
BSP-3/04MR	0.6	0.8	128.5	32	534	16.5
BSP-3/05MR	0.8	1.0	128.5	32	575	18
BSP-3/06MR	1.0	1.3	128.5	32	622	19.5
BSP-3/07MR	1.2	1.6	128.5	32	663	20.5

BSP - 5m³

Pump Model	Required Power		Dimensions (mm)			Approx. Nett Weight in kg
	kW	HP	OD	RP	H2	
BSP-5/03MR	0.6	0.8	128.5	32	508	16.5
BSP-5/04MR	0.8	1.0	128.5	32	549	18
BSP-5/05MR	1.0	1.3	128.5	32	596	19.5
BSP-5/06MR	1.2	1.6	128.5	32	637	20

In view of continuous developments the information / performance / descriptions / specifications / Illustrations are subject to change without notice.



C.R.I. PUMPS (PVT) LIMITED

(International Division)

7/46-1, Keeranatham Road, Saravanampatty, Coimbatore - 641 035. India.

Tel : +91-422-3911610, 3911612. Fax : +91-422-3911600

e-mail : cri@criexports.com website: www.cripumps.com

C.R.I. PUMPS S.A. (PTY) LIMITED

P.O. Box 6292, Halfway House, Midrand - 1685, Johannesburg, South Africa. Tel : +27-11-8058631 / 32 Fax : +27-11-8058630

e-mail : cri@cripumps.co.za website : www.cripumps.co.za

Branch : Capetown : + 27-21-931 2516

C.R.I. POMPA SANAYİ VE TİCARET LİMİTED ŞİRKETİ

10032 Sk. No:12 A.O.S.B. 35620 Çiğli-Izmir-Türkiye.

Tel:+90-232-328 22 99 Fax:+90-232-328 23 33

E-mail: cri@cripompa.com Website: www.cripompa.com

C.R.I PUMPS (Shanghai) Co., Ltd.

Building 53 (No. 17), 588 Yindu Road, Minhang District, Shanghai, China. Tel : +021-54405082, Fax : 021-54405083

e-mail : cri@bombascri.com.cn

website : www.bombascri.com.cn

C.R.I. PUMPS (FZE)

P.O. Box 7988, A4-12 SAIF-Zone, Sharjah, U.A.E.

Tel : +971-6-5573041 (3 Lines), Fax : +971-6-5573042

e-mail : cripumps@eim.ae

C.R.I. BOMBAS HIDRÁULICAS LTDA

Av. Rodrigo Fernando Grillo, 457, Jd. Manacas,

CEP - 14.801-534, Araraquara - SP, Brasil.

Fone : +55-16-3331 1099, Fax +55-16-3331 5344

e-mail : cri@cribombas.com.br website : www.cribombas.com.br

Filial : Jaboatão dos Guararapes-PE. Fone : +55-16-81487012

BOMBAS C.R.I. ESPAÑA,S.L.

Poligono Industrail El.Bony Calle 31, No.137, 46470

Catarroja (Valencia) Spain.

Tel: +34-96 1842 974 Fax: +34-96 1842 977.

Email: cri@bombascri.es Website: www.bombascri.es